



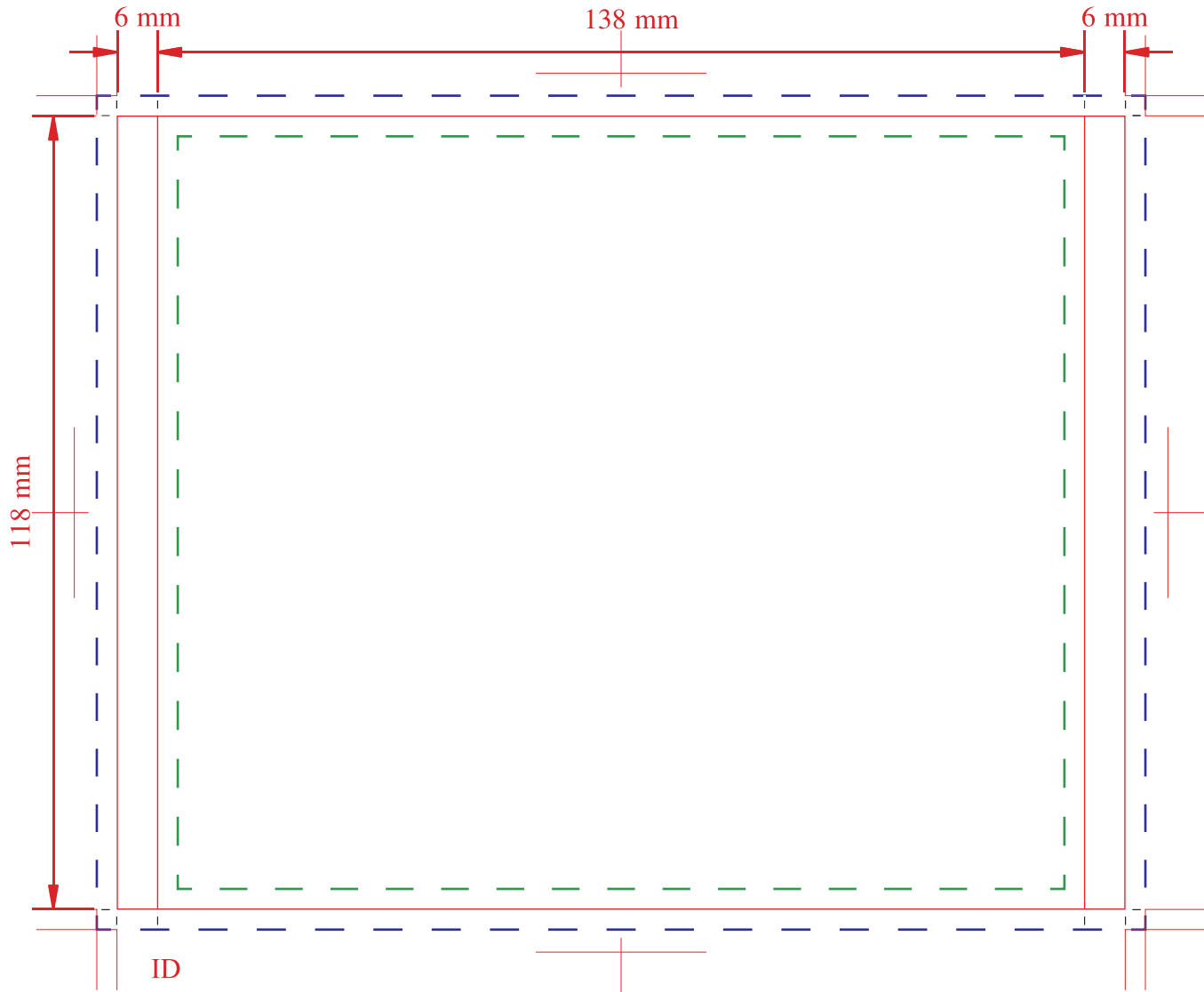


Finish Size: 138x6x118mm

Extended Bleed Area
Text Safe Region

3mm bleed must be added to all trim edges
File in CMYK format at 300 DPI
All fonts converted to curves or paths
Keep template layers and artwork layers separate

OUTSIDE



INSIDE

